

## Anchorage Intelligent Strength



### Features

- Classic lift on/lift off or lift out flag design**  
 Traditional assembly, ease of fitting, allows sash removal in low ceiling applications
- Long reach sash plate with integral fixing lugs**  
 Optimal strength and stability with 4 screws locating into the profile's steel reinforcing
- True 3D adjustment with supplied Allen keys**  
 Allows for final tweaking and perfect sash alignment
- Available in 14mm, 17mm and 21mm stack heights**  
 Works with all major profile systems
- Sash security cover cap and anti-lift pin**  
 Prevents intruder from removing cover cap and lifting out the door
- Dual mount screw fixings on sash piece for optional use of M6 screws**  
 Strong hold on sash and frame
- Tray based packaging, 3 hinges per tray**  
 Convenient full door assembly
- 30kg sash weight load per hinge**  
 Support up to 90kg with 3 hinges
- Dedicated individual or telescopic fixing jigs available**  
 Fast, more accurate fabrication
- Suitable for interior or exterior fitting**  
 Convenience for fabricator



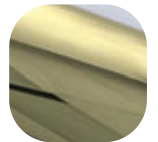
Black



White



Hardex  
Chrome



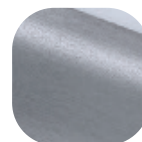
Hardex  
Gold



Hardex  
Bronze



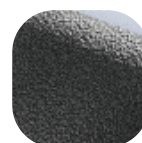
Hardex  
Pewter



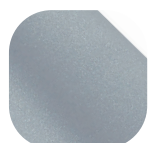
Hardex  
Graphite



Silver



Antique  
Black



Premium  
Satin

## Anchorage Intelligent Strength

### Ordering Details

#### Anchorage Intelligent Strength

Product	Part No.		
Finish	14mm	17mm	21mm
White	2A000	2A050	2A100
Black	2A001	2A051	2A101
Silver	2A002	2A052	2A102
Hardex Chrome	2A004	2A054	2A104
Hardex Bronze	2A006	2A056	2A106
Hardex Gold	2A008	2A058	2A108
Hardex Pewter	-	-	2A112
Hardex Graphite	-	2A061	2A111
Antique Black	-	2A059	2A109
Premium Satin	DHIAIPS14	DHIAIPS17	DHIAIPS21

### Technical Information

#### Corrosion resistance

All finishes salt spray tested to 480 hours (BS EN 1670: Class 5)

#### Operation

Function test to 100,000 cycles

#### Adjustment

Vertically +4mm/-1mm, Horizontally +/- 6mm; Compression adjustment of +/-1.5mm

#### Performance

Tested with 3 hinges up to 90kg sash

### Material Specification

Hinge Body and Flag: Zinc

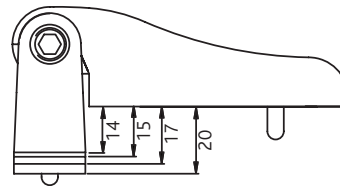
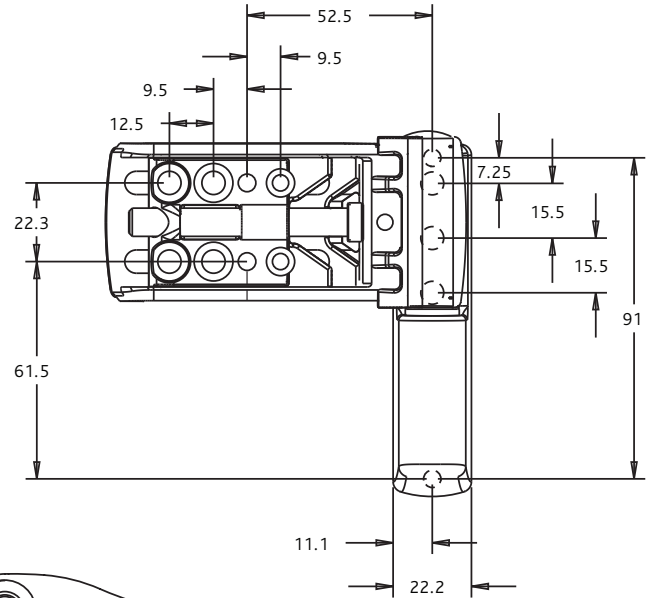
Coatings: Hardex Chrome, Hardex Bronze, Hardex Gold, Hardex Graphite, Hardex Pewter, Antique Black, Premium Satin, Black, Silver and White

### Maintenance

For continued protection of the quality finish and appearance, we advise routine cleaning of all our external hardware. We recommend wiping it with a clean cloth soaked in warm water and mild detergent every month. Please refrain from using heavy-duty cleaners, containing Chlorine or Potassium. Moving parts should also be lightly lubricated using a light non-acidic mineral oil (e.g., "3 in 1") at least twice per year. The product may need to be adjusted and fixings tightened to ensure a satisfactory operation. This procedure is particularly essential if products are used within a 25-mile radius of coastal areas or close proximity to building sites or large industrial areas, where more frequent cleaning may be required to prevent the accumulation of corrosive contaminants.

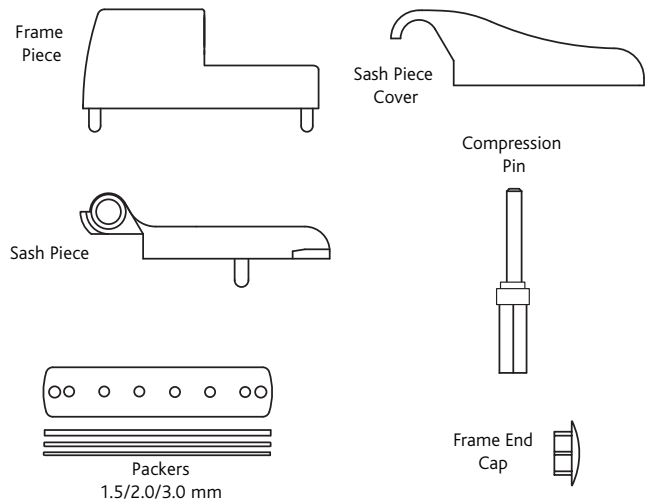
### Packaging

**Hinge**  
18 hinges per box



Sash frame rebate height  
Suitable for Sash Frame sizes  
from 14.00mm and higher

#### Component Parts List



All dimensions are in mm and are nominal.

Fab&Fix reserves the right to change specification without notice. It is the responsibility of the door manufacturer to ensure that the finished product meets any required safety and performance specification.