

vivo

BI-FOLD DOOR HANDLE

Contemporary styled handle
for intermediate locking on
bi-fold doors.



vivo

BI-FOLD DOOR HANDLE

Designed for intermediate locking panels on bi-fold doors. The handle end does protrude outside its own width when turned. Check to ensure the handle does not interfere with opposite panels when opened. See alternative handle VIVOshort for narrow styled bi-fold doors.

The handle is suitable for most intermediate bi-fold door handles that need replacing or upgrading.

Features & Benefits

- Designed for intermediate panels on bi-fold doors
- Sleek contemporary look with aesthetic appeal
- Option for back plate with an escutcheon for a 18mm Euro profile cylinder
- Handle tilts outward for easy operation and flat when not operating
- Constructed from zinc die cast and steel spindle
- Fits on window gearboxes/shoot bolt locks with 7mm drive spindle & 43mm screw centres. See example: Debar ROBUS Shoot Bolt Lock

NOTE: Securing screws not supplied as they are not visible in the primary view when locked



Available Finishes



Matt Black



Matt Grey



White Gloss



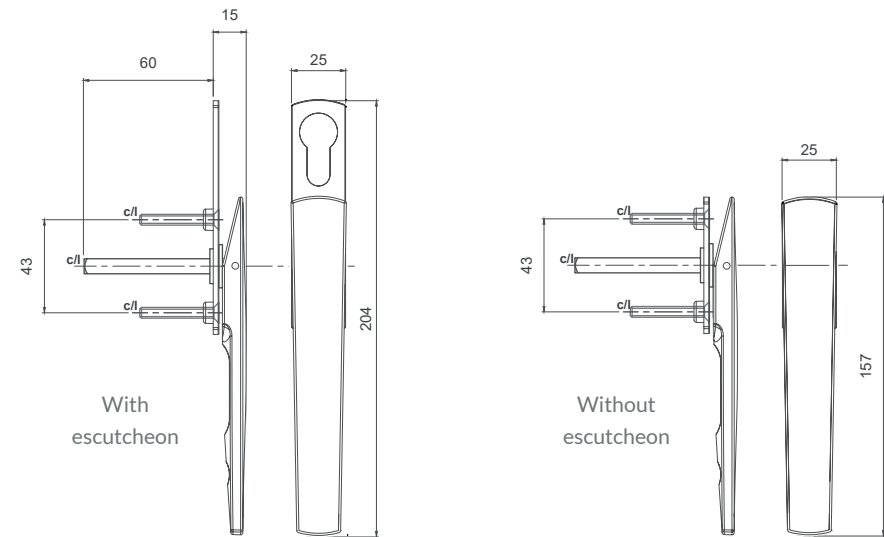
Polished
Chrome



Brushed Satin
Chrome

Special orders available: Alternative finishes, raw & your logo printed on handle

Technical Specifications



Our sales/technical team are on hand to help with any questions on suitability or if you need a replacement please send a picture of the broken handle so we can assist further on identification.

Our range of products are used on doors throughout the world.