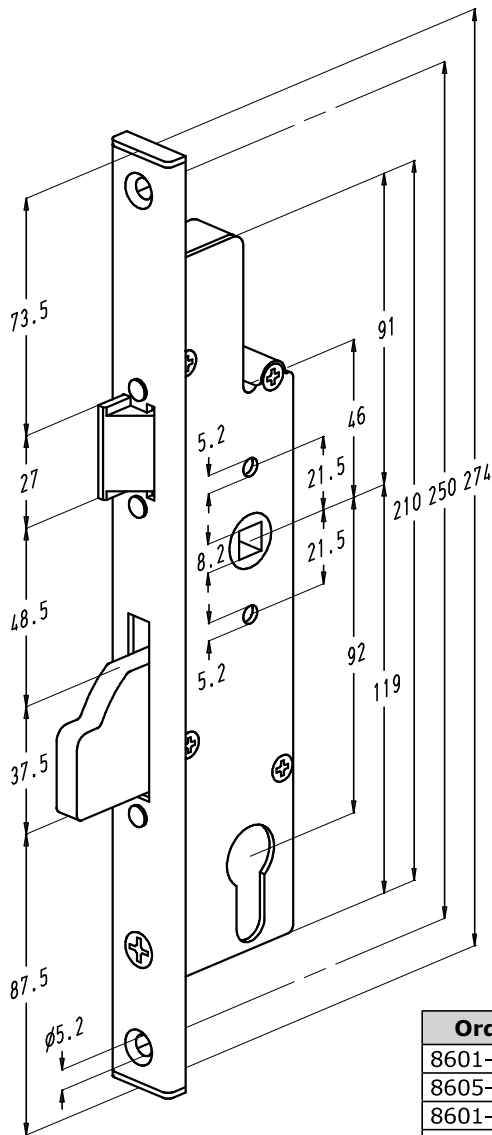




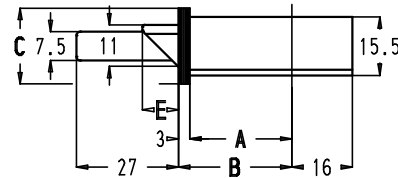
SINGLE LOCKS SERIES 8600

2. Types

2.1. Lock with latch bolt and dead bolt

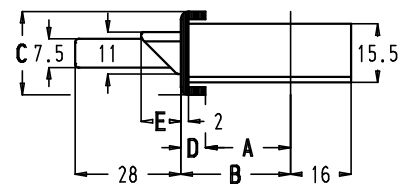


Flat faceplate



Order code	A (mm)	B (mm)	C (mm)	E (mm)
8601-16-30	27	30	16	9.5
8605-16-30				13.5
8601-16-35	32	35	16	9.5
8605-16-35				13.5
8301-16-40	37	40	16	9.5
8305-16-40				13.5
8601-20-30	27	30	20	9.5
8605-20-30				13.5
8601-20-35	32	35	20	9.5
8605-20-35				13.5
8301-20-40	37	40	20	9.5
8305-20-40				13.5
8601-24-30	27	30	24	9.5
8605-24-30				13.5
8601-24-35	32	35	24	9.5
8605-24-35				13.5
8301-24-40	37	40	24	9.5
8305-24-40				13.5

U-faceplate



Order code	A (mm)	B (mm)	C (mm)	D (mm)	E (mm)
8601-U22-25	22.5	29	22	6.5	10.5
8605-U22-25					14.5
8601-U22-30	27.5	34	22	6.5	10.5
8605-U22-30					14.5
8301-U22-35	32.5	39	22	6.5	10.5
8305-U22-35					14.5
8601-U24-25	22.5	29	24	6.5	10.5
8605-U24-25					14.5
8601-U24-27	24	29	24	5	10.5
8605-U24-27					14.5
8601-U24-30	27.5	34	24	6.5	10.5
8605-U24-30					14.5
8601-U24-32	29	34	24	5	10.5
8605-U24-32					14.5
8301-U24-35	32.5	39	24	6.5	10.5
8305-U24-35					14.5
8301-U24-37	34	39	24	5	10.5
8305-U24-37					14.5